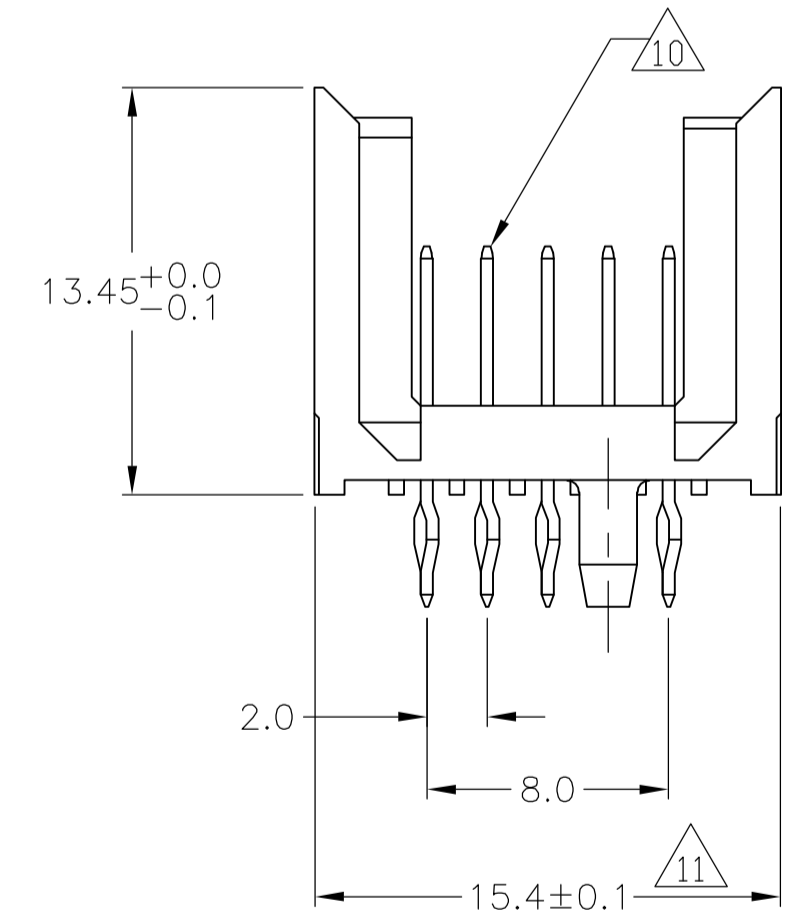
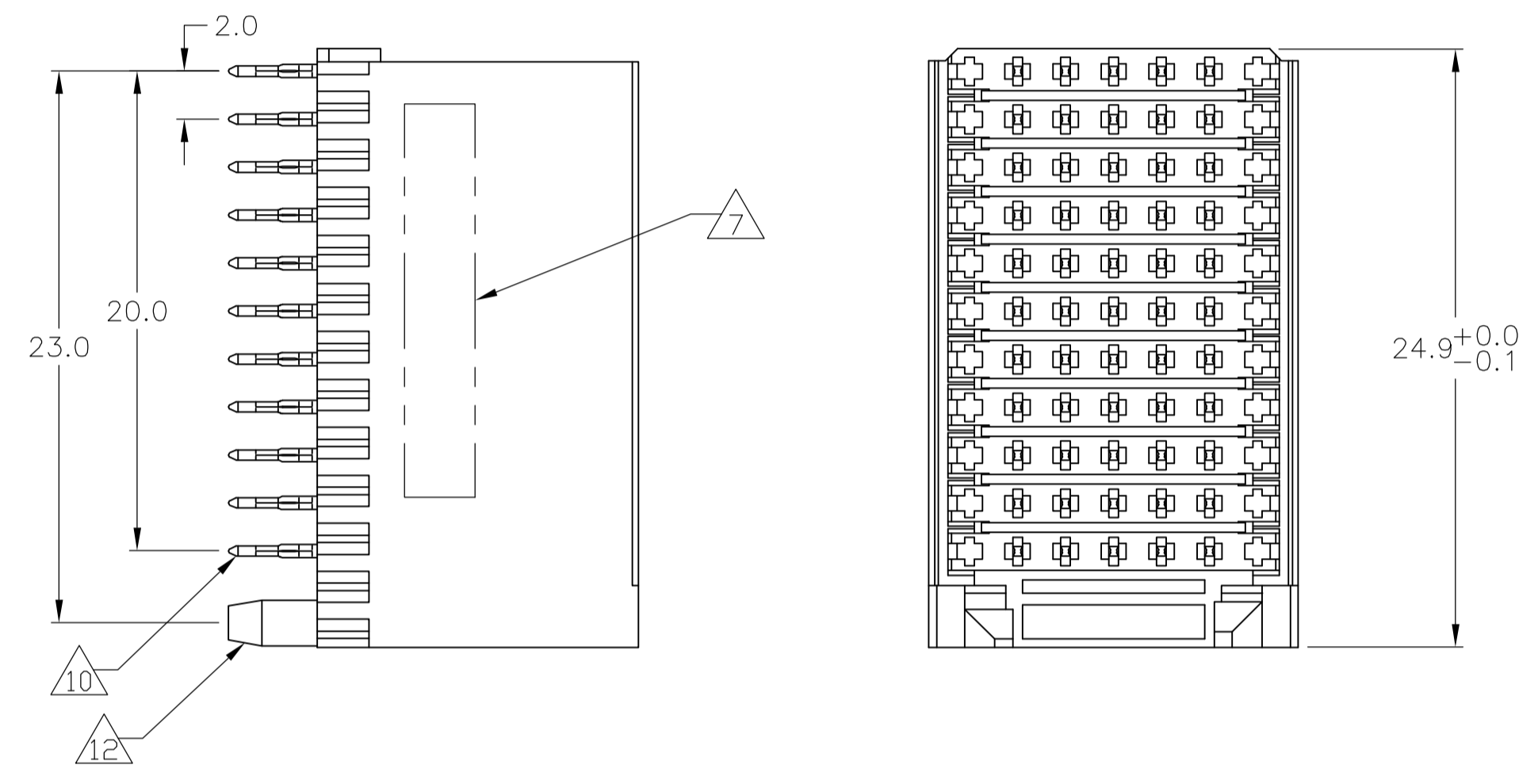
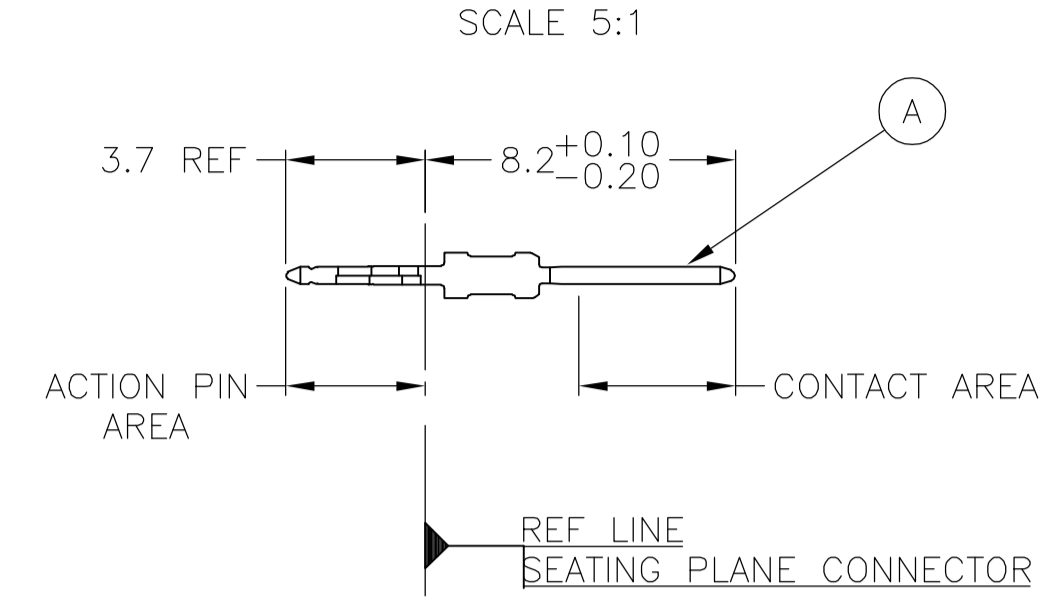


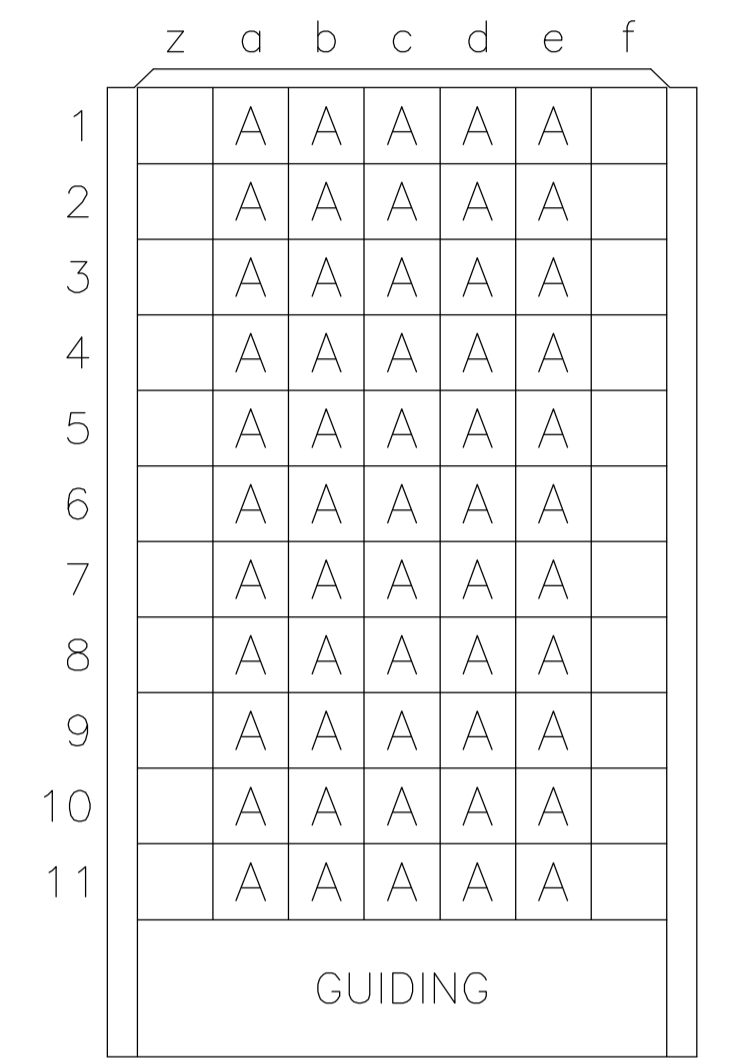
CONNECTOR ASSEMBLY EXAMPLARY LOADED



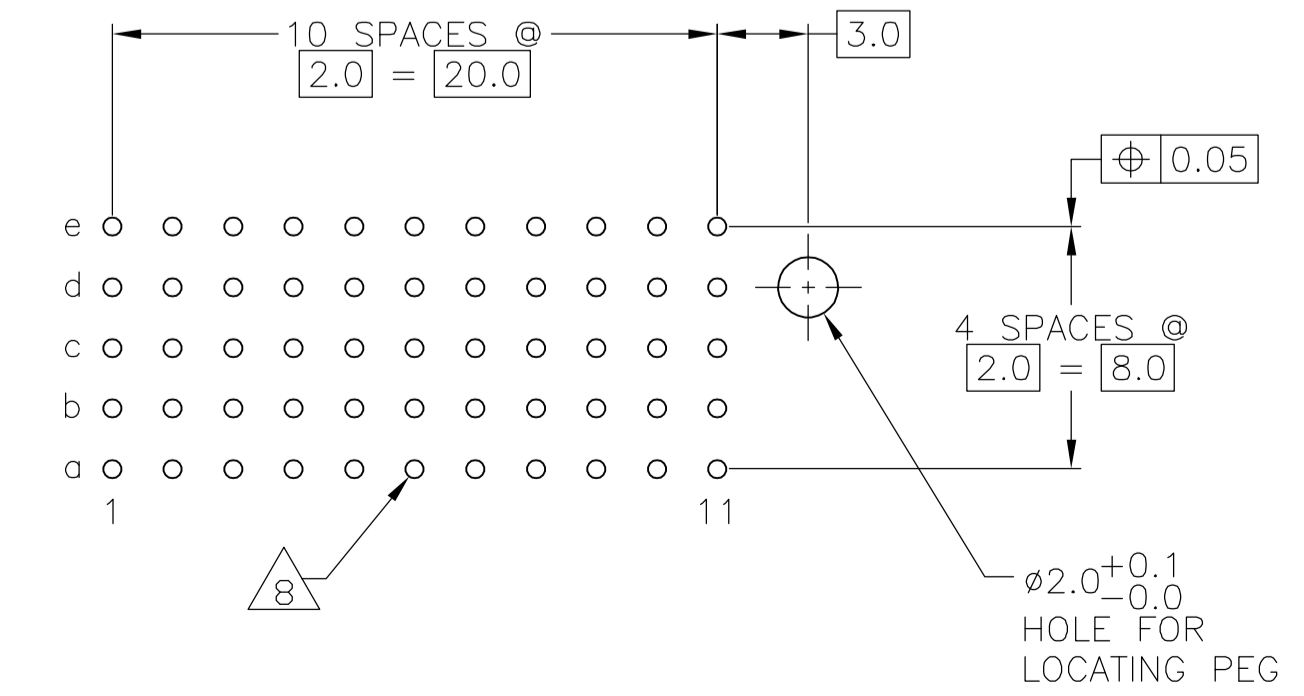
CONTACT DIMENSIONS



CONTACT LAYOUT



RECOMMENDED PCB-HOLE LAYOUT COMPONENT SIDE SHOWN




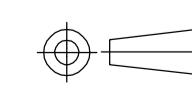
PLATED THRU HOLES PARAMETERS REFERENCE APPLICATION SPECIFICATION

2 6 13	1-100159-9
2 5 13	100159-9
2 4	100159-4
2 3	100159-1
FINISH	PART NUMBER

THIS DRAWING IS A CONTROLLED DOCUMENT.		DWN F. BEUN 08OCT98	Tyco Electronics Corporation Harrisburg, Pa 17105-3608	
DIMENSIONS: mm		CHK R. LEE 08OCT98	NAME F. KONINGSBRUGGE	
TOLERANCES UNLESS OTHERWISE SPECIFIED:		PRODUCT SPEC 108-19082		
0 PLC ± -		APPLICATION SPEC 114-19029		
1 PLC ± 0.2		SIZE A1		
2 PLC ± 0.02		CAGE CODE 00779		
3 PLC ± 0.005		DRAWING NO 100159		
4 PLC ± ± 0.30°		RESTRICTED TO		
MATERIAL 1		WEIGHT -		
FINISH SEE TABLE		CUSTOMER DRAWING		

LOC	DIST	REVISIONS				
AD	00	REV	DESCRIPTION	DATE	BY	APP'D
			SEE SHEET 1			

- 1 MATERIAL:
CONTACT: PHOSPHOR BRONZE.
HOUSING: GLASS-FILLED POLYESTER.
- 2 GENERAL PLATING SPECIFICATION: UNDERPLATING
(ENTIRE CONTACT): 1.27µm MIN NICKEL AND ACTION
PIN: 0.5µm MIN TIN/LEAD.
FOR PLATING OF MATING SURFACES SEE APPLICABLE
SPECIFICATION REFERENCE FOR EACH DASH NUMBER.
- 3 CONFORMS TO ALL TESTING ACCORDING TO IEC 61076-4-101
PERFORMANCE LEVEL 2.
- 4 CONFORMS TO ALL TESTING ACCORDING TO IEC 61076-4-101
PERFORMANCE LEVEL 1.
- 5 CONNECTOR TESTED AND QUALIFIED AGAINST TELCORDIA GR-1217-CORE QUALITY LEVEL 3,
CENTRAL OFFICE APPLICATIONS.
- 6 CONNECTOR TESTED AND QUALIFIED AGAINST TELCORDIA GR-1217-CORE QUALITY LEVEL 3,
UNCONTROLLED ENVIROMENT APPLICATIONS.
- 7 CONNECTOR MARKED WITH PART NUMBER AND DATE CODE.
ADDITIONAL CHARACTERS OR MARKINGS, AS WELL AS THE LOCATION OF THE MARKINGS,
MAY BE ADDED FOR TRACEABILITY BASED UPON MANUFACTURERS DISCRETION.
- 8 PLATED-THROUGH HOLES AT 2x2mm SQUARE GRID
PATTERN DEFINED BY CONTACT LAYOUT.
- 9 FOR ACTUAL PIN LOADING SEE "CONTACT LAYOUT".
- 10 FOR ACTUAL PIN DIMENSIONS SEE "CONTACT DIMENSIONS".
- 11 TO BE MEASURED AT BOTTOM OF SHROUD.
- 12 LOCATION PEG.
- 13 CONNECTOR LUBRICATED WITH BELCORE APPROVED LUBRICANT,
TECHNICAL REFERENCE: TR-NWT-001217 ISSUE 1, SEP 1992.

THIS DRAWING IS A CONTROLLED DOCUMENT.		DWG F. BEUN 08OCT98	 Tyco Electronics Corporation Harrisburg, Pa 17105-3608	
DIMENSIONS: mm		CHK R. LEE 08OCT98	NAME F. KONINGSBRUGGE	
		APPROD F. KONINGSBRUGGE	PRODUCT SPEC 108-19082	
0 PLC ± - 1 PLC ± 0.2 2 PLC ± 0.02 3 PLC ± 0.005 4 PLC ± - ANGLES ± ± 0.30°		APPLICATION SPEC 114-19029	SIZE A1	CAGE CODE 00779
MATERIAL SEE SHEET 1	FINISH SEE SHEET 1	WEIGHT -	DRAWING NO 100159	RESTRICTED TO -
CUSTOMER DRAWING			SCALE 4:1	SHEET 2 OF 2